

SCP-3120/3120V/3120VH



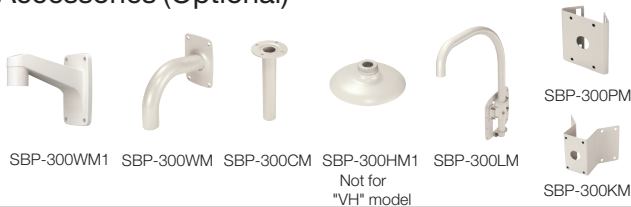
1/4" 12x High Resolution WDR Mini PTZ Dome Camera



Key Features

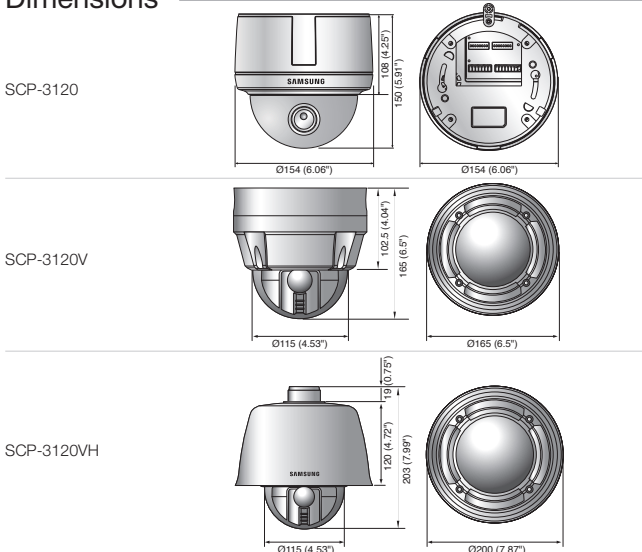
- High resolution of 600TV lines (Color), 700TV lines (B/W)
- Min. illumination 0.7Lux@F1.65 (Color), 0.07Lux (B/W)
- Powerful 12x zoom (3.6 ~ 44.3mm), Digital 16x
- WDR, VPS, True Day / Night (ICR), Intelligent video, MD, DNR (3D+2D)
- IP66 : SCP-3120V/3120VH, Coaxial control (CCVC), RS-485, 24V AC

Accessories (Optional)



Dimensions

Unit : mm (inch)



Technical Specifications

	SCP-3120N/3120VN/3120VHN	SCP-3120P/3120VP/3120VHP
VIDEO		
Imaging Device	1/4" Ex-view HAD CCD (Double scan)	
Total Pixels	811(H) x 508(V)	795(H) x 596(V)
Effective Pixels	768(H) x 494(V)	752(H) x 582(V)
Scanning System	2 : 1 Interlace	
Synchronization	Internal / Line lock	
Frequency	H : 15.734KHz / V : 59.94Hz	H : 15.625KHz / V : 50Hz
Horizontal Resolution	Color : 600TV lines, B/W : 700TV lines	
Min. Illumination	Color : 0.7Lux@F1.65 (50IRE), 0.001Lux (Sens-up, 512x) B/W : 0.07Lux@F1.65 (50IRE), 0.0001Lux (Sens-up, 512x)	
S / N Ratio	52dB (AGC off, Weight on)	
Video Output	CVBS : 1.0 Vp-p / 75Ω composite	
LENS		
Focal Length (Zoom Ratio)	3.6 ~ 44.3mm (Optical 12x)	
Max. Aperture Ratio	1 : 1.65(Wide) ~ 2.01(Tele)	
Angular Field of View	H : 54.44°(Wide) ~ 4.64°(Tele) / V : 41.42°(Wide) ~ 3.52°(Tele)	
Min. Object Distance	1m (3.28ft)	
Focus Control	Auto / Manual / One shot	
Zoom Movement Speed	1.9sec	
PAN / TILT		
Pan Range	360° Endless	
Pan Speed	Preset : 650°/sec, Manual : 0.05°/sec ~ 120°/sec (Proportional zoom ratio)	
Tilt Range	-5° ~ 185°	
Tilt Speed	Preset : 650°/sec, Manual : 0.05°/sec ~ 120°/sec (Proportional zoom ratio)	
Preset	255	
Preset Accuracy	±0.1°	
OPERATIONAL		
On Screen Display	English, French, Spanish, Italian, German, Portuguese, Korean	English, French, Spanish, German, Italian, Chinese, Portuguese
Camera Title	Off / On (Displayed 12 characters)	
Day & Night	Off / Auto / B/W	
Backlight Compensation	BLC / WDR / Off	
Wide Dynamic Range	128x (52dB)	160x (52dB)
Contrast Enhancement	XDR (Off / Low / Mid / High)	
Digital Noise Reduction	Adaptive 3D+2D (Off / Low / Mid / High / User)	
Digital Image Stabilization	Off / On	
Motion Detection	Off / Tracking / Detection	
Privacy Masking	Off / On (12 programmable zones with polygonal masking)	
Sens-up (Frame Integration)	2x ~ 512x	
Gain Control	Off / Low / Medium / High / Manual	
White Balance	ATW (In) / ATW (Out) / AWC / Manual	
Electronic Shutter Speed	1/60 ~ 1/10,000sec	1/50 ~ 1/10,000sec
Digital Zoom	Off / On (1x ~ 16x)	
Digital Flip	Off / On	
VPS	Off / On	
Intelligent Video	Fixed / Moved	
Schedule	Day / Time	
Alarm	2 In 2 Out	
Communication	Coaxial control, RS-485	
Protocol	Coax : CCVC RS-485 : Samsung-T/E, Pelco-D/P, Panasonic, Bosch, Honeywell, Vicon, AD, GE	
ENVIRONMENTAL		
Operating Temperature / Humidity	-10°C ~ +50°C (+14°F ~ +122°F) / Less than 90% RH : SCP-3120 -50°C ~ +50°C (-58°F ~ +122°F) / Up to 100% RH : SCP-3120V/3120VH	
Ingress Protection	IP66 : SCP-3120V/3120VH	
ELECTRICAL		
Input Voltage	24V AC ±10%	
Power Consumption	Max. 12W : SCP-3120, Max. 12W / 45W (Fan & heater on) : SCP-3120V/3120VH	
MECHANICAL		
Color / Material	Ivory / Plastic (Dome cover : Clear) : SCP-3120 Ivory / Aluminum, Plastic (Dome cover : Clear) : SCP-3120V/3120VH	
Dimensions (WxH)	Ø154.0 x 150.0mm (Ø6.06" x 5.91") : SCP-3120, Ø165.0 x 165.0mm (Ø6.5" x 6.5") : SCP-3120V Ø200.0 x 203.0mm (Ø7.87" x 7.99") : SCP-3120VH	
Weight	1Kg (2.2 lb) : SCP-3120, 1.8Kg (3.97 lb) : SCP-3120V, 2.4Kg (5.29 lb) : SCP-3120VH	