

SCO-2120R

1/4" High Resolution 12x Weatherproof IR Camera

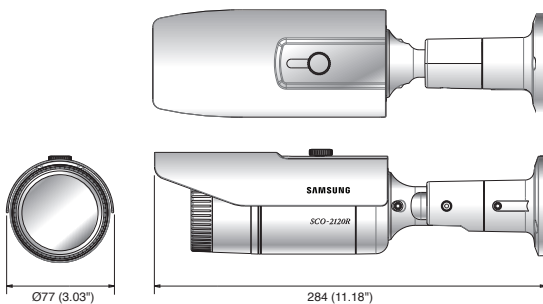


Key Features

- High resolution of 600TVL lines (Color), 700TVL lines (B/W)
- Min. illumination 0Lux (IR LED On), IR distance 70m
- Powerful 12x zoom (3.94 ~ 46.05mm), digital 16x
- True Day / Night (ICR), MD, SSNR III
- IP66, Coax : Pelco-C (Coaxitron), RS-485, dual power

Dimensions

Unit : mm (inch)



Technical Specifications

	SCO-2120RN	SCO-2120RP
VIDEO		
Imaging Device	1/4" Super HAD CCD	
Total Pixels	811(H) x 508(V)	795(H) x 596(V)
Effective Pixels	768(H) x 494(V)	752(H) x 582(V)
Scanning System	2 : 1 Interlace	
Synchronization	Internal / Line lock	
Frequency	H : 15.734KHz / V : 59.94Hz	H : 15.625KHz / V : 50Hz
Horizontal Resolution	Color : 600TV lines, B/W : 700TV lines	
Min. Illumination	Color : 0.2Lux@F1.67 (50IRE), 0.0004Lux (Sens-up, 512x) B/W : 0Lux (IR LED on)	
S / N Ratio	52dB (AGC off, Weight on)	
Video Output	CVBS : 1.0 Vp-p / 75Ω composite	
LENS		
Focal Length (Zoom Ratio)	3.94 ~ 46.05mm (Optical 12x)	
Max. Aperture Ratio	1 : 1.67(Wide) ~ 1.88(Tele)	
Angular Field of View	H : 51.54°(Wide) ~ 4.5°(Tele) / V : 39.24°(Wide) ~ 3.38°(Tele)	
Min. Object Distance	1.8m (Tele) (5.91ft)	
Focus Control	Auto / Manual / One shot	
Zoom Movement Speed	1.9sec (Wide to tele)	
OPERATIONAL		
On Screen Display	English, Japanese, Spanish, French, Portuguese, Taiwanese, Korean	English, French, German, Spanish, Italian, Chinese, Russian, Polish, Czech, Romanian, Serbian, Swedish, Danish, Turkish, Portuguese
Camera Title	On / Off (Displayed 15 characters)	
Day & Night	Auto (ICR) / Color / B/W	
Backlight Compensation	Off / BLC / HLC	
Dynamic Range	SSDR (Off / On)	
Digital Noise Reduction	SSNR III (Off / On)	
Digital Image Stabilization	Off / On	
Motion Detection	Off / On (8 programmable zones)	
Privacy Masking	Off / On (12 programmable zones)	
Sens-up (Frame Integration)	2x ~ 512x	
Gain Control	Off / Low / Medium / High / Manual	
White Balance	ATW / Outdoor / Indoor / Manual / AWC (1,700K° ~ 11,000K°)	
Electronic Shutter Speed	1/60 ~ 1/120,000sec	1/50 ~ 1/120,000sec
Digital Zoom	Off / On (1x ~ 16x)	
Flip	Vertical / Horizontal	
Communication	Coaxial control, RS-485	
Protocol	Coax : Pelco-C (Coaxitron) RS-485 : Samsung-T/E, Pelco-D/P, Panasonic, Bosch, Honeywell, Vicon, AD	
IR Distance	70m (850nm IR LED : 31ea)	
ENVIRONMENTAL		
Operating Temperature / Humidity	-10°C ~ +50°C (+14°F ~ +122°F) / Up to 100% RH	
Ingress Protection	IP66	
ELECTRICAL		
Input Voltage	Dual (24V AC & 12V DC ±10%)	
Power Consumption	Max. 6.8W / 6.5W (IR LED on)	
MECHANICAL		
Color / Material	Dark gray / ALDC	
Dimensions (WxHxD)	Ø77.0 x 274.7mm (Ø3.03" x 10.81") (Bracket angle 90°), 314.1mm (12.37") (Bracket angle 180°)	
Weight	1.2Kg (2.65 lb)	