

Small & Compact Indoor camera



High Resolution Small Box Camera

SCB-2010

The SCB-2010 ultra-compact box camera features Samsung's W-V DSP chipset delivering a horizontal resolution of 600TV lines and a low light sensitivity of just 0.04Lux. Its compact and stylish design neatly blends into any interior and comes complete with a built-in 3mm lens for discrete monitoring, making it suitable for applications such as offices, retail outlets and elevators.

- High resolution of 600TV lines
- Min. illumination 0.04Lux@F2.0(Color)
- Built-in 3mm fixed lens
- MD, SSNRIII, coax : Pelco-C(Coaxitron), 12V DC

High Resolution Small Box Camera

SCB-2010

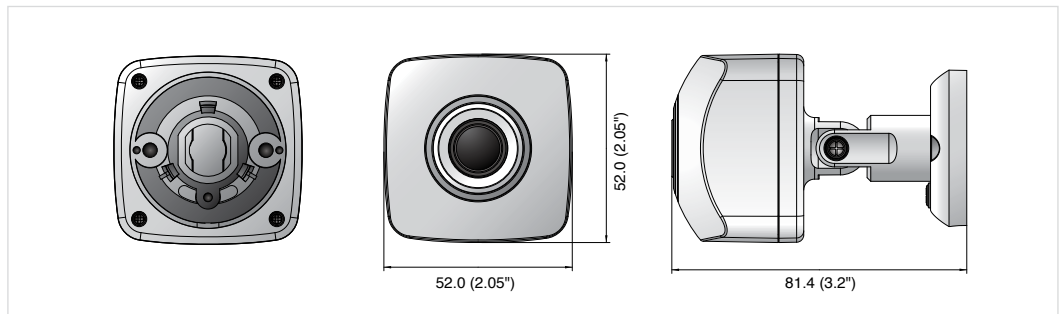


Specifications

	SCB-2010N	SCB-2010P
VIDEO		
Imaging Device	1/3" Super HAD CCD II	
Total Pixels	811(H) x 508(V)	795(H) x 596(V)
Effective Pixels	768(H) x 494(V)	752(H) x 582(V)
Scanning System	2 : 1 Interlace	
Synchronization	Internal	
Frequency	H : 15.734KHz / V : 59.94Hz	H : 15.625KHz / V : 50Hz
Horizontal Resolution	Color : 600TV lines	
Min. Illumination	Color : 0.04Lux (50IRE@F1.2, Sens-up 2x)	
S / N Ratio	52dB (AGC off, Weight on)	
Video Output	CVBS : 1.0 Vp-p / 75Ω composite	
LENS		
Focal Length (Zoom Ratio)	3mm	
Max. Aperture Ratio	F2.0	
Angular Field of View	H : 95° / V : 71°	
Min. Object Distance	0.4m (1.31ft)	
OPERATIONAL		
On Screen Display	English, Japanese, Spanish, French, Portuguese, Taiwanese, Korean	English, French, German, Spanish, Italian, Chinese, Russian, Polish, Czech, Romanian, Serbian, Swedish, Danish, Turkish, Portuguese
Camera Title	On / Off (Displayed 15 characters)	
Day & Night	Auto (Electric) / Color / B/W	
Backlight Compensation	Off / User BLC / HLC / SDR	
Dynamic Range	SSDR (Off / On)	
Digital Noise Reduction	SSNR III (Off / On)	
Digital Image Stabilization	Off / On	
Motion Detection	Off / On (8 programmable zones)	
Privacy Masking	Off / On (12 programmable zones)	
Sens-up (Frame Integration)	2x ~ 512x	
Gain Control	Off / Low / High	
White Balance	ATW / Outdoor / Indoor / Manual / AWC (1,700K ~ 11,000K°)	
Electronic Shutter Speed	1/60 ~ 1/120,000sec	1/50 ~ 1/120,000sec
Digital Zoom	Off / On (1x ~ 16x)	
Reverse	H-Rev (Off / On), V-Rev (Off / On)	
Communication	Coaxial control (SPC-300 compatible)	
Protocol	Coax : Pelco-C (Coaxitron)	
ENVIRONMENTAL		
Operating Temperature / Humidity	-10°C ~ +50°C (+14°F ~ +122°F) / Less than 90% RH	
ELECTRICAL		
Input Voltage / Current	12V DC ±10%	
Power Consumption	Max. 1.8W	
MECHANICAL		
Color / Material	Ivory / Plastic	
Dimensions (WxHxD)	52.0 x 52.0 x 40.4 mm (2.05" x 2.05" x 1.59") (Without Bracket)	
Weight	95g (0.21 lb) (With Bracket)	

Dimensions

Unit : mm (inch)



The Eco mark represents Samsung Techwin's will to create environment-friendly products, and indicates that the product satisfies the EU RoHS Directive.

Design and specifications are subject to change without notice.



SAMSUNG TECHWIN CO., LTD.

701, Sampyeong-dong, Bundang-gu, Seongnam-si, Gyeonggi-do Korea 463-400
Tel : +82-70-7147-8741~8749, 8752~8760 Fax : +82-31-8018-3745
www.samsungsecurity.com www.samsungcctv.com

SAMSUNG TECHWIN AMERICA INC.

100 Challenger Rd. Suite 700 Ridgefield Park, NJ 07660
Toll Free : +1-877-213-1222 Direct : +1-201-325-6920
Fax : +1-201-373-0124
www.samsungcctvusa.com

SAMSUNG TECHWIN EUROPE LTD.

Samsung House, 1000 Hillswood Drive, Hillswood Business Park
Chertsey, Surrey, UNITED KINGDOM KT16 0PS
Tel : +44-1932-45-5300 Fax : +44-1932-45-5325

TIANJIN SAMSUNG TECHWIN OPTO-ELECTRONICS CO., LTD.

No.11 Wei 6 Street, Micro-Electronic Industrial Park
Jingang Road, Tianjin, P.R. CHINA 300385
Tel : +86-22-23887788 Fax : +86-22-23887788

■ DISTRIBUTED BY

