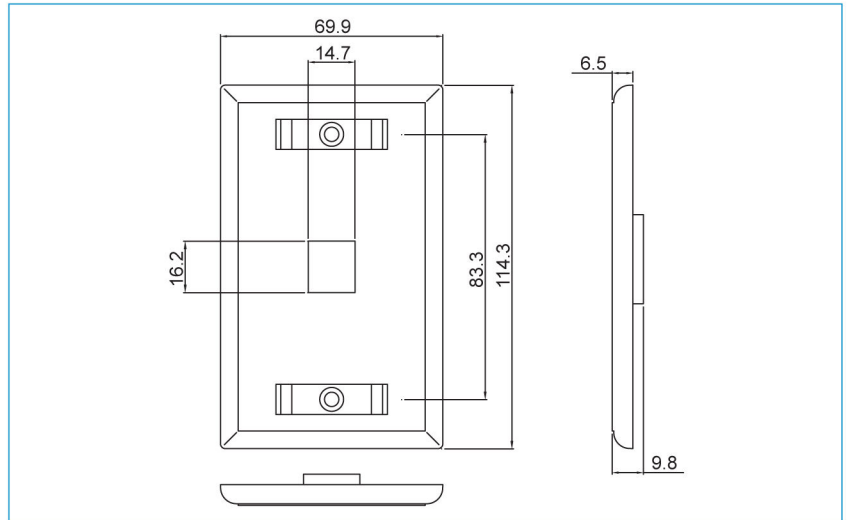


UC CACC FP CO 01 V2

Wide, Flat Faceplate, 1-port, White



Ordering Information

SAP IC	UC P/N	UC Material Code	Product Description	P.U
YFPBP00134	FPC01090	UC CACC FP CO 01 V2	Wide, Flat Faceplate, 1-port, White	1pc/bag