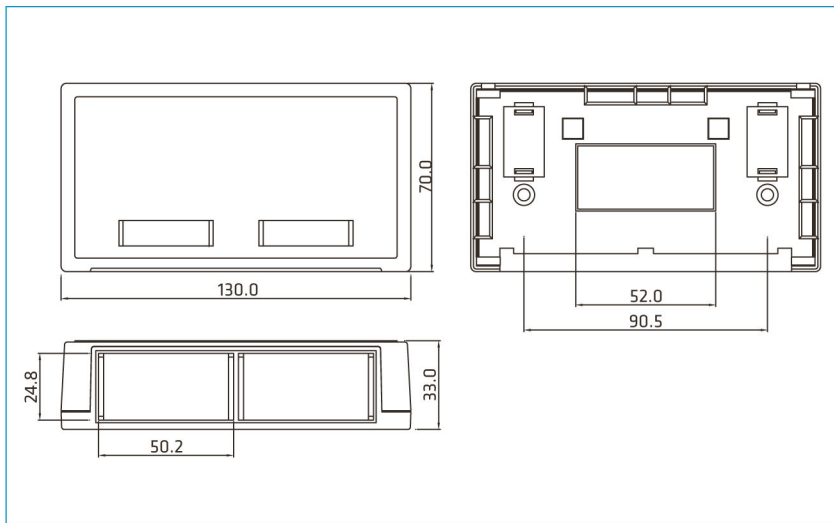


# UC CACC DB 04

10G Surface Mount Box, 4-port, White ,NHD



## Ordering Information

SAP IC	UC P/N	UC Material Code	Product Description	P.U
<b>YDBBP00357</b>	DB9254	UC CACC DB 04	10G Surface Mount Box, 4-port, White ,NHD	1pc/bag