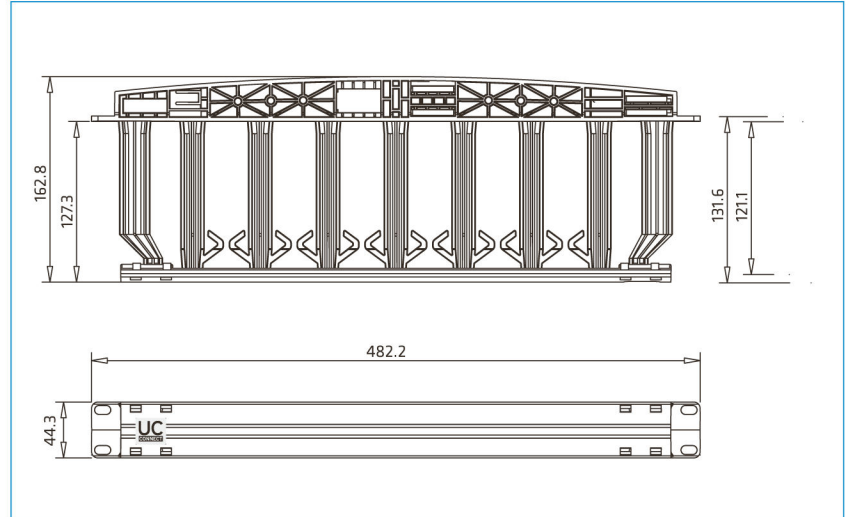


# UC CACC CM 1U V1

19" 1U cable management, Plastic light weight, Deep - 5 inch



- 1U Horizontal Cable Management.
- Hinged Front cover provides easy way to access and manage the patch cords.
- Complies with ANSI/TIA/EIA-310-D Cabinets, Racks, Panels and Associated Equipment.
- Light-weight design to save transportation cost.
- High Capacity Cable duct design.



## Ordering Information

SAP IC	UC P/N	UC Material Code	Product Description	P.U
YPPBP01573	CM1U9851	UC CACC CM 1U V1	19" 1U cable management, Plastic light weight, Deep - 5 inch	1pc/box